

# DONOHUE HEATING SERVICES

## CAST IRON DATA SHEETS

# LEGACY



Five heights available in 4 column pattern / two heights available in a 6 column pattern

Primer paint RAL 7022 – suitable for re-painting

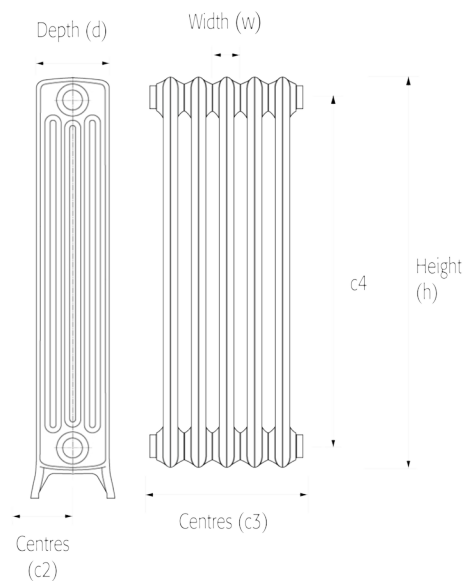
Pressure tested to 10 bar / maximum working pressure 6 bar

Intergrated feet supplied as standard

Optional 'Paw' feet available, must be specified at point of order

Fitting package available which contains – retaining stays, vents, plugs and joining key tool (when required). Please see costs table for details

10 year guarantee



Product Code (Heating Only)	Height (mm) (h)	Width (mm) (w)	Depth (mm) / No. of Columns (d)	Tapping Centres (mm)		Heat Output $\Delta t50^{\circ}\text{C}$		Heat Output $\Delta t60^{\circ}\text{C}$	
				(C2)	(C4)	Watts	BTUs	Watts	BTUs
<b>Legacy – Floor Standing – details per section</b>									
4/28L	360	60	144 / 4	102 / 112	200	44	149	55	188
4/42L	475	60	144 / 4	102 / 112	320	65	222	82	281
4/65L	660	60	144 / 4	102 / 112	500	93	317	118	402
4/75L	760	60	144 / 4	102 / 112	600	108	368	137	466
4/95L	960	60	144 / 4	102 / 112	800	139	473	176	600
6/48L	485	60	221 / 6	142 / 152	350	95	325	121	412
6/65L	660	60	221 / 6	142 / 152	500	133	454	168	575
<b>Legacy – Wall Mounted – details per section</b>									
4/28	300	60	144 / 4	102 / 112	200	44	149	55	188
4/42	415	60	144 / 4	102 / 112	320	65	222	82	281
4/65	600	60	144 / 4	102 / 112	500	93	317	118	402
4/75	700	60	144 / 4	102 / 112	600	108	368	137	466
4/95	900	60	144 / 4	102 / 112	800	139	473	176	600
6/48	425	60	221 / 6	142 / 152	350	95	325	121	412
6/65	600	60	221 / 6	142 / 152	500	133	454	168	575



# DONOHUE HEATING SERVICES

## CAST IRON DATA SHEETS

Model		4/95			6/48			6/65			No. of stays needed	No. of optional paw feet needed
Length mm	No. of Sections	ΔT50°C		Del. Code	ΔT50°C		Del. Code	ΔT50°C		Del. Code		
		Watts	BTU's		Watts	BTU's		Code	BTU's			
180	3	417	1419	C	285	975	C	399	1362	C	2	2
240	4	556	1892	C	380	1300	C	532	1816	C	2	2
300	5	695	2365	C	475	1625	C	665	2270	C	2	2
360	6	834	2838	C	570	1950	C	798	2724	C	2	2
420	7	973	3311	C	665	2275	C	931	3178	C	2	2
480	8	1112	3784	C	760	2600	C	1064	3632	C	2	2
540	9	1251	4257	C	855	2925	C	1197	4086	C	2	2
600	10	1390	4730	C	950	3250	C	1330	4540	C	2	2
660	11	1529	5203	C	1045	3575	C	1463	4994	C	2	2
720	12	1668	5676	C	1140	3900	C	1596	5448	C	3	3
780	13	1807	6149	C	1235	4225	C	1729	5902	C	3	3
840	14	1946	6622	C	1330	4550	C	1862	6356	C	3	3
900	15	2085	7095	C	1425	4875	C	1995	6810	C	3	3
960	16	2224	7568	C	1520	5200	C	2128	7264	C	3	3
1020	17	2363	8041	C	1615	5525	C	2261	7718	C	3	3
1080	18	2502	8514	C	1710	5850	C	2394	8172	C	3	3
1140	19	2641	8987	C	1805	6175	C	2527	8626	C	3	3
1200	20	2780	9460	C	1900	6500	C	2660	9080	C	3	3
1260	21	2919	9933	C	1995	6825	C	2793	9534	C	3	3
1320	22	3058	10406	C	2090	7150	C	2926	9988	C	3	3
1380	23	3197	10879	C	2185	7475	C	3059	10442	C	3	3
1440	24	3336	11352	C	2280	7800	C	3192	10896	C	3	4
1500	25	3475	11825	C	2375	8125	C	3325	11350	C	3	4
1560	26	3614	12298	C	2470	8450	C	3458	11804	C	3	4
1620	27	3753	12771	C	2565	8775	C	3591	12258	C	3	4
1680	28	3892	13244	C	2660	9100	C	3724	12712	C	3	4
1740	29	4031	13717	C	2755	9425	C	3857	13166	C	3	4
1800	30	4170	14190	C	2850	9750	C	3990	13620	C	3	4
1860	31	4309	14663	C	2945	10075	C	4123	14074	C	3	4
1920	32	4448	15136	C	3040	10400	C	4256	14528	C	3	4
1980	33	4587	15609	C	3135	10725	C	4389	14982	C	3	4
2040	34	4726	16082	C	3230	11050	C	4522	15436	C	3	4
2100	35	4865	16555	C	3325	11375	C	4655	15890	C	4	5
2160	36	5004	17028	C	3420	11700	C	4788	16344	C	4	5
2220	37	5143	17501	C	3515	12025	C	4921	16798	C	4	5
2280	38	5282	17974	C	3610	12350	C	5054	17252	C	4	5
2340	39	5421	18447	C	3705	12675	C	5187	17706	C	4	5
2400	40	5560	18920	C	3800	13000	C	5320	18160	C	4	5
2460	41	5699	19393	C	3895	13325	C	5453	18614	C	4	5
2520	42	5838	19866	C	3990	13650	C	5586	19068	C	4	5
2580	43	5977	20339	C	4085	13975	C	5719	19522	C	4	5
2640	44	6116	20812	C	4180	14300	C	5852	19976	C	5	6
2700	45	6255	21285	C	4275	14625	C	5985	20430	C	5	6
2760	46	6394	21758	C	4370	14950	C	6118	20884	C	5	6
2820	47	6533	22231	C	4465	15275	C	6251	21338	C	5	6
2880	48	6672	22704	C	4560	15600	C	6384	21792	C	5	6
2940	49	6811	23177	C	4655	15925	C	6517	22246	C	5	6
3000	50	6950	23650	C	4750	16250	C	6650	22700	C	5	6