

DONOHUE HEATING SERVICES

CAST IRON DATA SHEETS

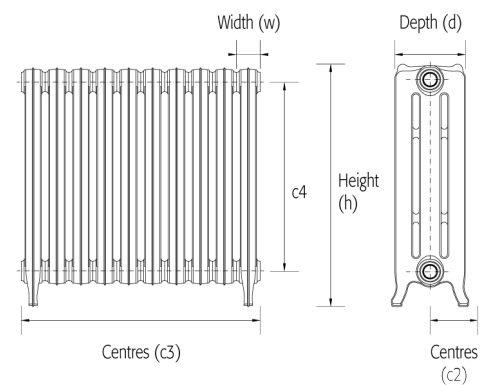
DELIVERY
CODE
C

THIS ITEM NORMALLY
DISPATCHED WITHIN
7-10 DAYS OF ORDER



Main image – plain finish. Inset image – patterned finish.

- Two heights available in 3 column, plain or pattern design
- Primer paint RAL 7022 – suitable for re-painting
- Pressure tested to 10 bar / maximum working pressure 6 bar
- Built in feet as standard
- Can be wall mounted if required
- Fitting package available which contains – retaining stays, vents, plugs and joining key tool (when required). Please see costs table for details
- 10 year guarantee



Product Code (Heating Only)	Height (mm) (h)	Width (mm) (w)	Depth (mm) (d)	Tapping Centres (mm)		Heat Output $\Delta t50^{\circ}\text{C}$		Heat Output $\Delta t60^{\circ}\text{C}$	
				(C2)	(C4)	Watts	BTUs	Watts	BTUs
Floreal									
600225	750	77.6	250	157-167	582	180	614	228	776
600225P	750	77.6	250	157-167	582	180	614	228	776
800225	950	77.6	250	157-167	782	219	747	277	944
800225P	950	77.6	250	157-167	782	219	747	277	944

FLOREAL

Model		600225			600225P			800225			800225P			No. of stays needed
Length mm	No. of Sections	ΔT50°C		Delivery Code	ΔT50°C		Delivery Code	ΔT50°C		Delivery Code	ΔT50°C		Delivery Code	
		Watts	BTU's		Watts	BTU's		Watts	BTU's		Watts	BTU's		
228	3	540	1842	C	540	1842	C	657	2241	C	657	2241	C	2
304	4	720	2456	C	720	2456	C	876	2988	C	876	2988	C	2
380	5	900	3070	C	900	3070	C	1095	3735	C	1095	3735	C	2
456	6	1080	3684	C	1080	3684	C	1314	4482	C	1314	4482	C	2
532	7	1260	4298	C	1260	4298	C	1533	5229	C	1533	5229	C	2
608	8	1440	4912	C	1440	4912	C	1752	5976	C	1752	5976	C	2
684	9	1620	5526	C	1620	5526	C	1971	6723	C	1971	6723	C	2
760	10	1800	6140	C	1800	6140	C	2190	7470	C	2190	7470	C	2
836	11	1980	6754	C	1980	6754	C	2409	8217	C	2409	8217	C	2
912	12	2160	7368	C	2160	7368	C	2628	8964	C	2628	8964	C	3
988	13	2340	7982	C	2340	7982	C	2847	9711	C	2847	9711	C	3
1064	14	2520	8596	C	2520	8596	C	3066	10458	C	3066	10458	C	3
1140	15	2700	9210	C	2700	9210	C	3285	11205	C	3285	11205	C	3
1216	16	2880	9824	C	2880	9824	C	3504	11952	C	3504	11952	C	3
1292	17	3060	10438	C	3060	10438	C	3723	12699	C	3723	12699	C	3
1368	18	3240	11052	C	3240	11052	C	3942	13446	C	3942	13446	C	3
1444	19	3420	11666	C	3420	11666	C	4161	14193	C	4161	14193	C	3
1520	20	3600	12280	C	3600	12280	C	4380	14940	C	4380	14940	C	3
1596	21	3780	12894	C	3780	12894	C	4599	15687	C	4599	15687	C	3
1672	22	3960	13508	C	3960	13508	C	4818	16434	C	4818	16434	C	3
1748	23	4140	14122	C	4140	14122	C	5037	17181	C	5037	17181	C	3
1824	24	4320	14736	C	4320	14736	C	5256	17928	C	5256	17928	C	3
1900	25	4500	15350	C	4500	15350	C	5475	18675	C	5475	18675	C	3
1976	26	4680	15964	C	4680	15964	C	5694	19422	C	5694	19422	C	3
2052	27	4860	16578	C	4860	16578	C	5913	20169	C	5913	20169	C	3
2128	28	5040	17192	C	5040	17192	C	6132	20916	C	6132	20916	C	3
2204	29	5220	17806	C	5220	17806	C	6351	21663	C	6351	21663	C	3
2280	30	5400	18420	C	5400	18420	C	6570	22410	C	6570	22410	C	3
2356	31	5580	19034	C	5580	19034	C	6789	23157	C	6789	23157	C	3
2432	32	5760	19648	C	5760	19648	C	7008	23904	C	7008	23904	C	3
2508	33	5940	20262	C	5940	20262	C	7227	24651	C	7227	24651	C	3
2584	34	6120	20876	C	6120	20876	C	7446	25398	C	7446	25398	C	3
2660	35	6300	21490	C	6300	21490	C	7665	26145	C	7665	26145	C	4
2736	36	6480	22104	C	6480	22104	C	7884	26892	C	7884	26892	C	4
2812	37	6660	22718	C	6660	22718	C	8103	27639	C	8103	27639	C	4
2888	38	6840	23332	C	6840	23332	C	8322	28386	C	8322	28386	C	4
2964	39	7020	23946	C	7020	23946	C	8541	29133	C	8541	29133	C	4
3040	40	7200	24560	C	7200	24560	C	8760	29880	C	8760	29880	C	4
3116	41	7380	25174	C	7380	25174	C	8979	30627	C	8979	30627	C	4
3192	42	7560	25788	C	7560	25788	C	9198	31374	C	9198	31374	C	4
3268	43	7740	26402	C	7740	26402	C	9417	32121	C	9417	32121	C	4
3344	44	7920	27016	C	7920	27016	C	9636	32868	C	9636	32868	C	5
3420	45	8100	27630	C	8100	27630	C	9855	33615	C	9855	33615	C	5
3496	46	8280	28244	C	8280	28244	C	10074	34362	C	10074	34362	C	5
3572	47	8460	28858	C	8460	28858	C	10293	35109	C	10293	35109	C	5
3648	48	8640	29472	C	8640	29472	C	10512	35856	C	10512	35856	C	5
3724	49	8820	30086	C	8820	30086	C	10731	36603	C	10731	36603	C	5
3800	50	9000	30700	C	9000	30700	C	10950	37350	C	10950	37350	C	5